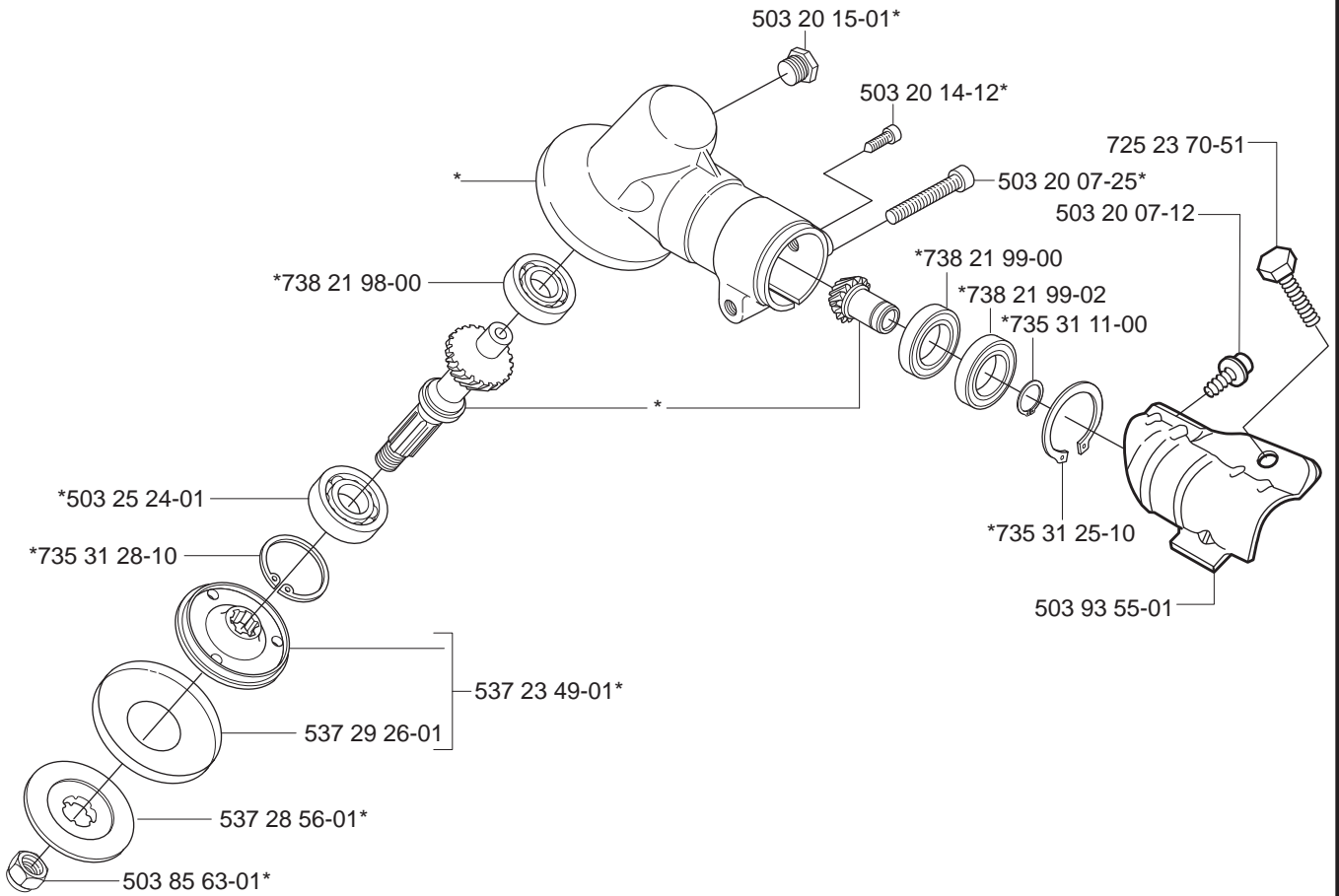
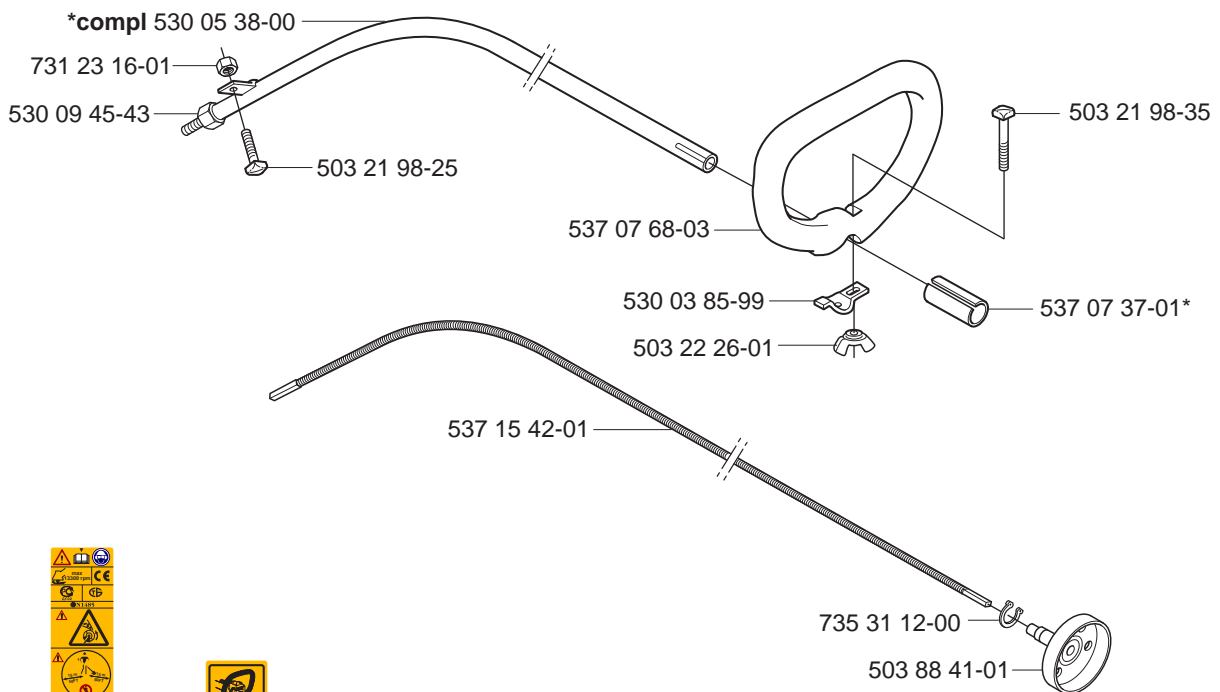


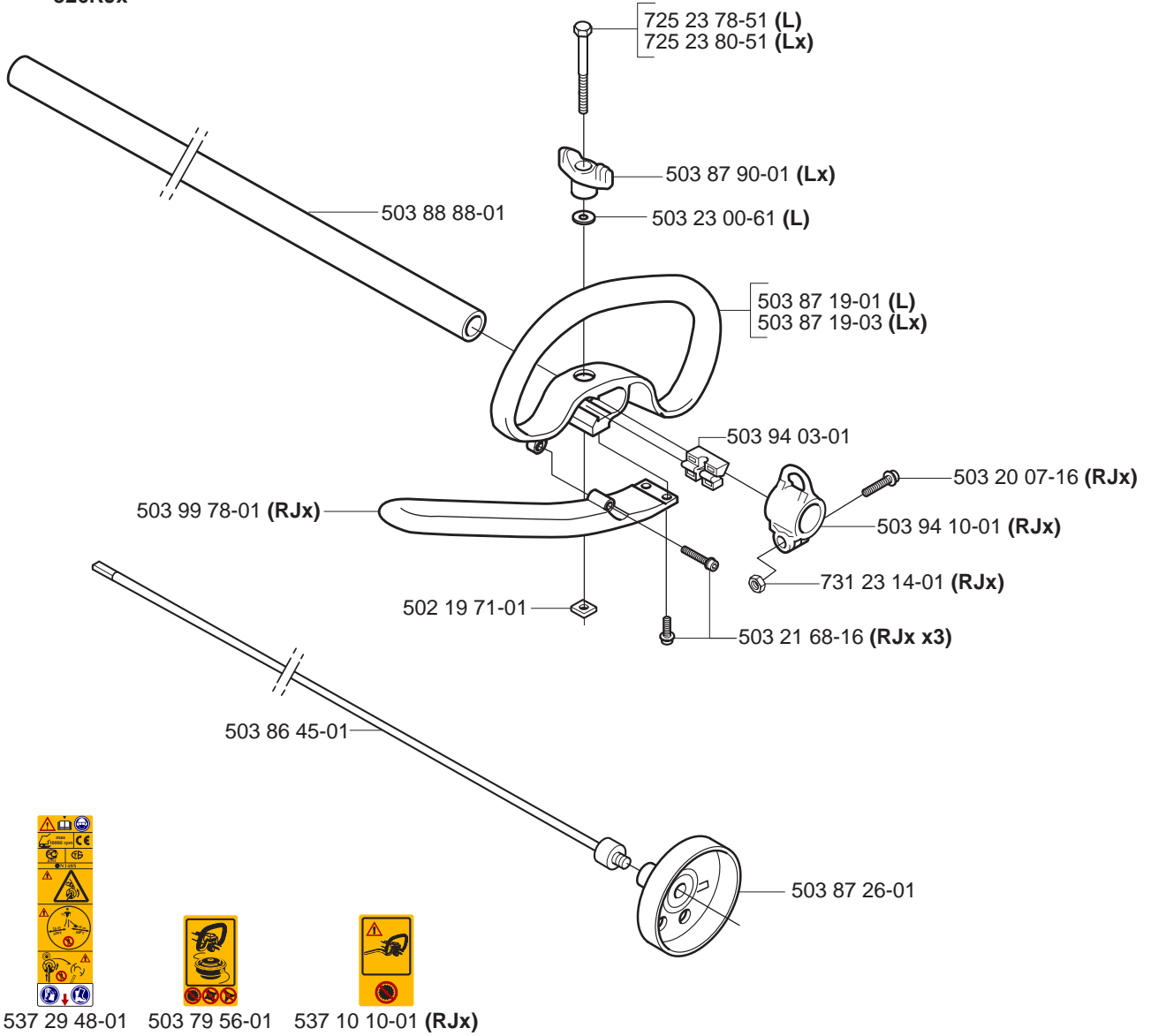
A 323L, R
326L, Lx, LDx, Rx, RJx
*compl 537 19 92-02



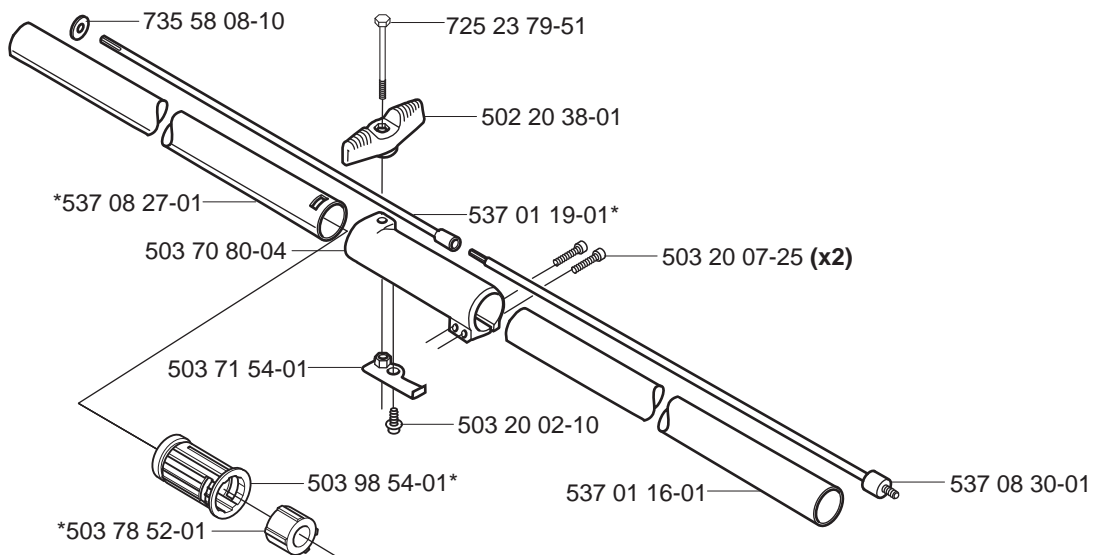
B 326C



C 323L
326L, Lx
326RJx

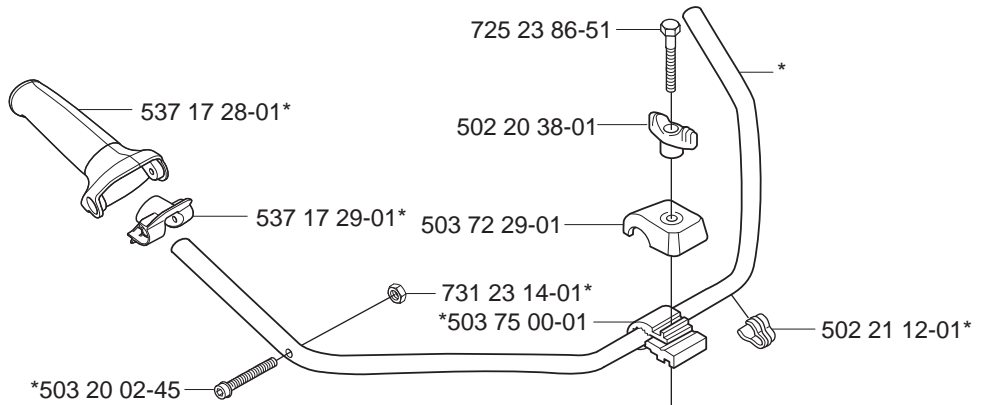
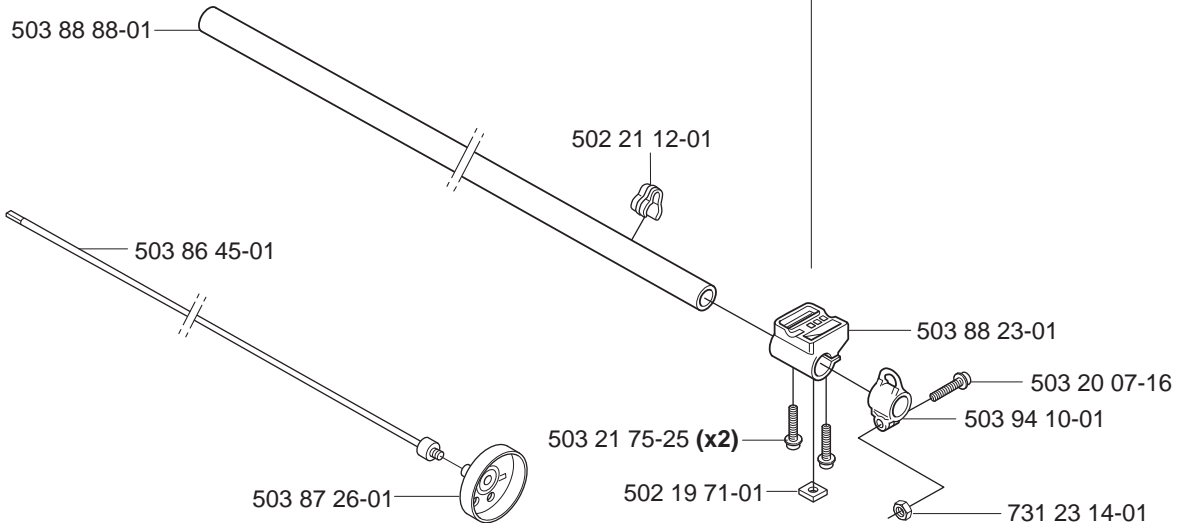
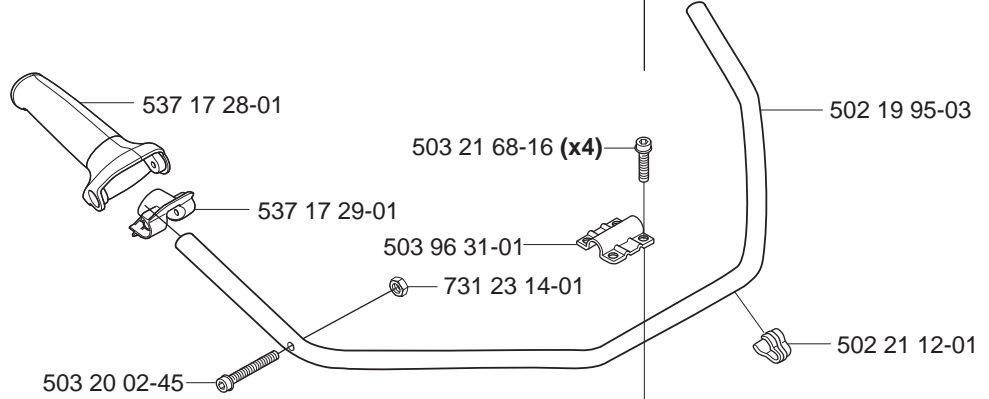


D 326LDx
*compl 537 07 99-01



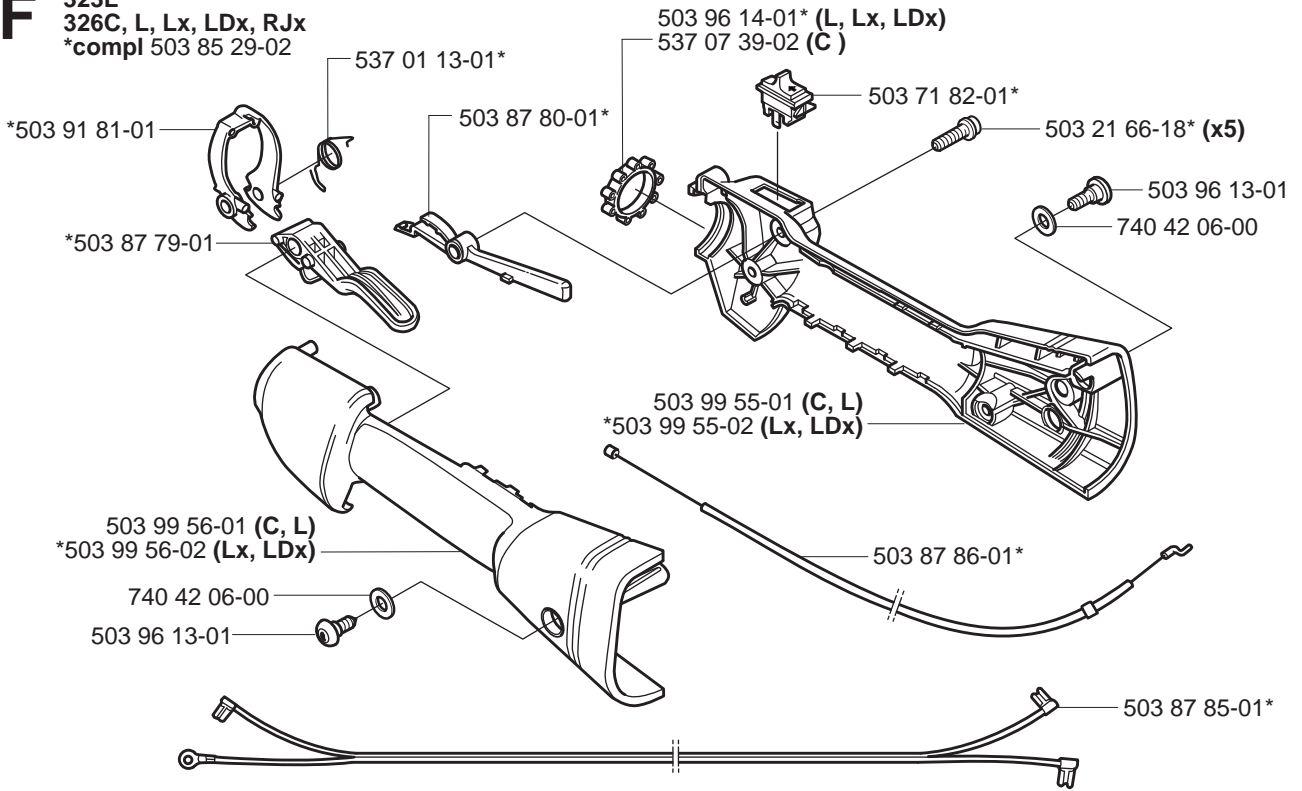
E

323R
326Rx
*compl 503 72 43-09

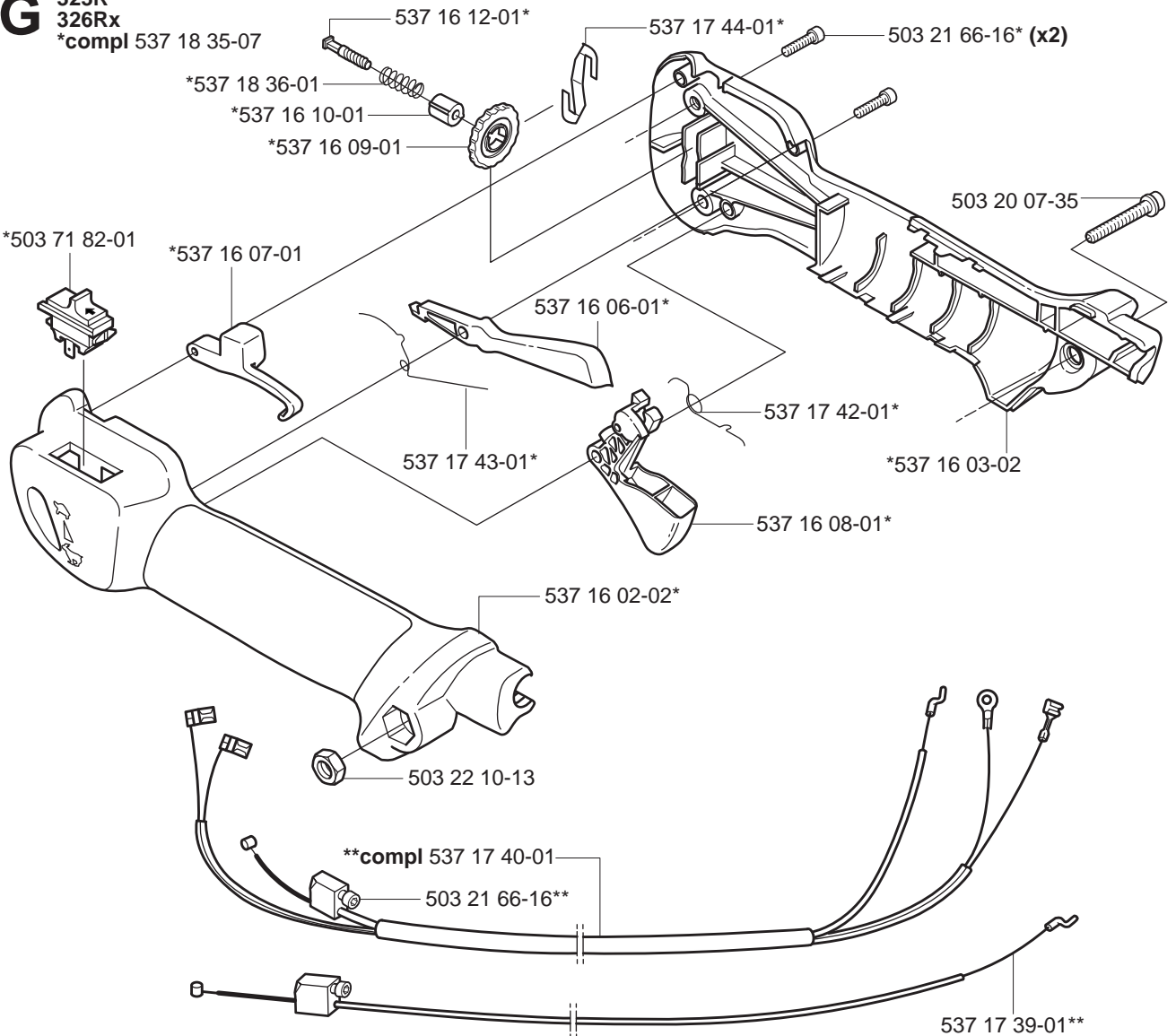
326Rx**323R**

537 29 48-01

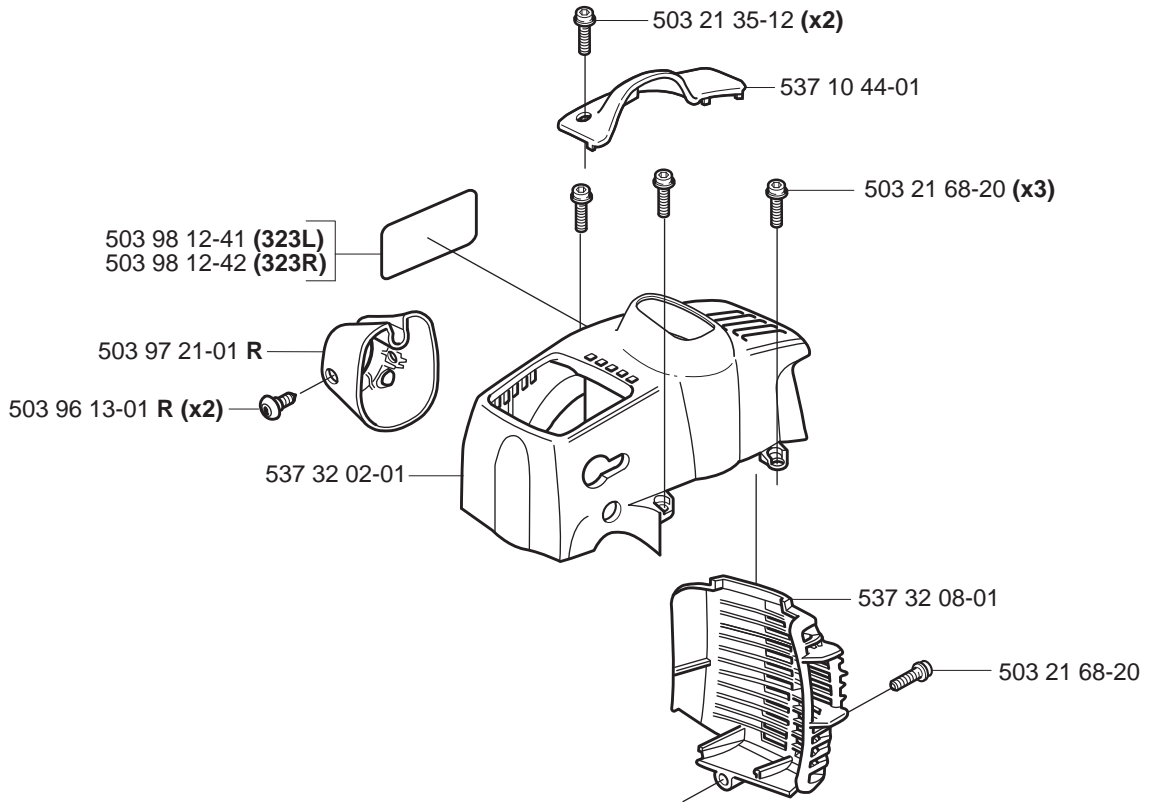
F 323L
326C, L, Lx, LDx, RJx
*compl 503 85 29-02



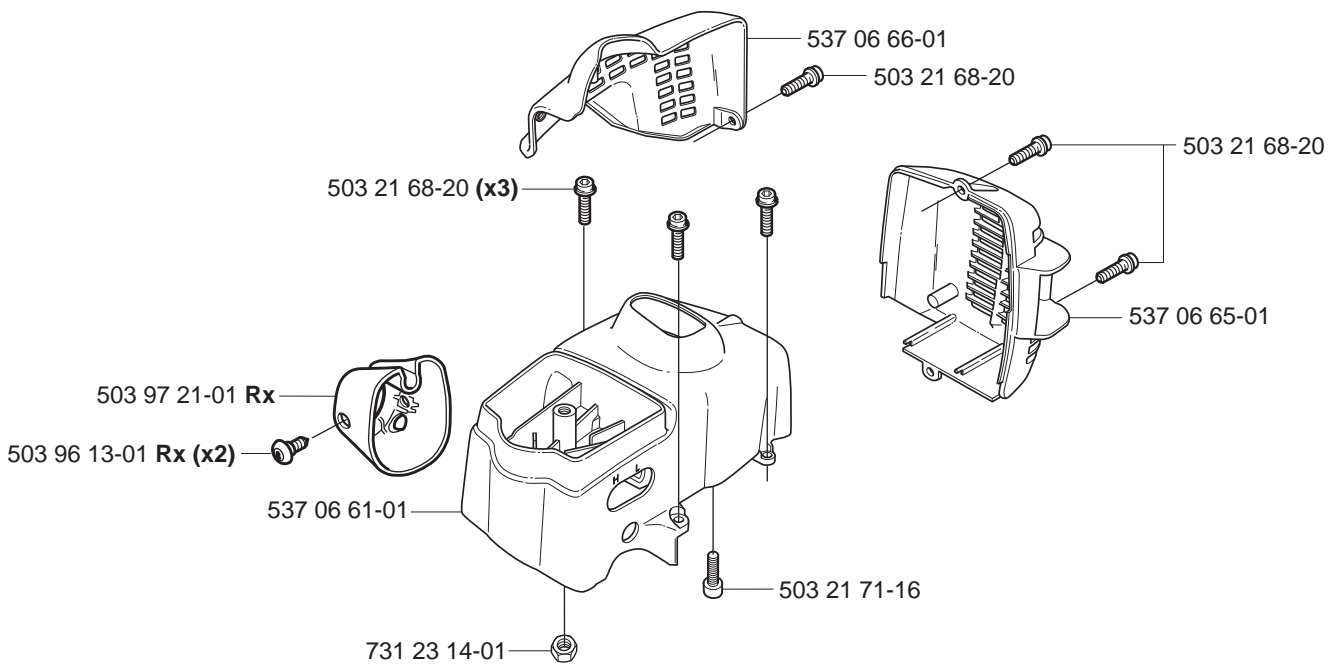
G 323R
326Rx
*compl 537 18 35-07

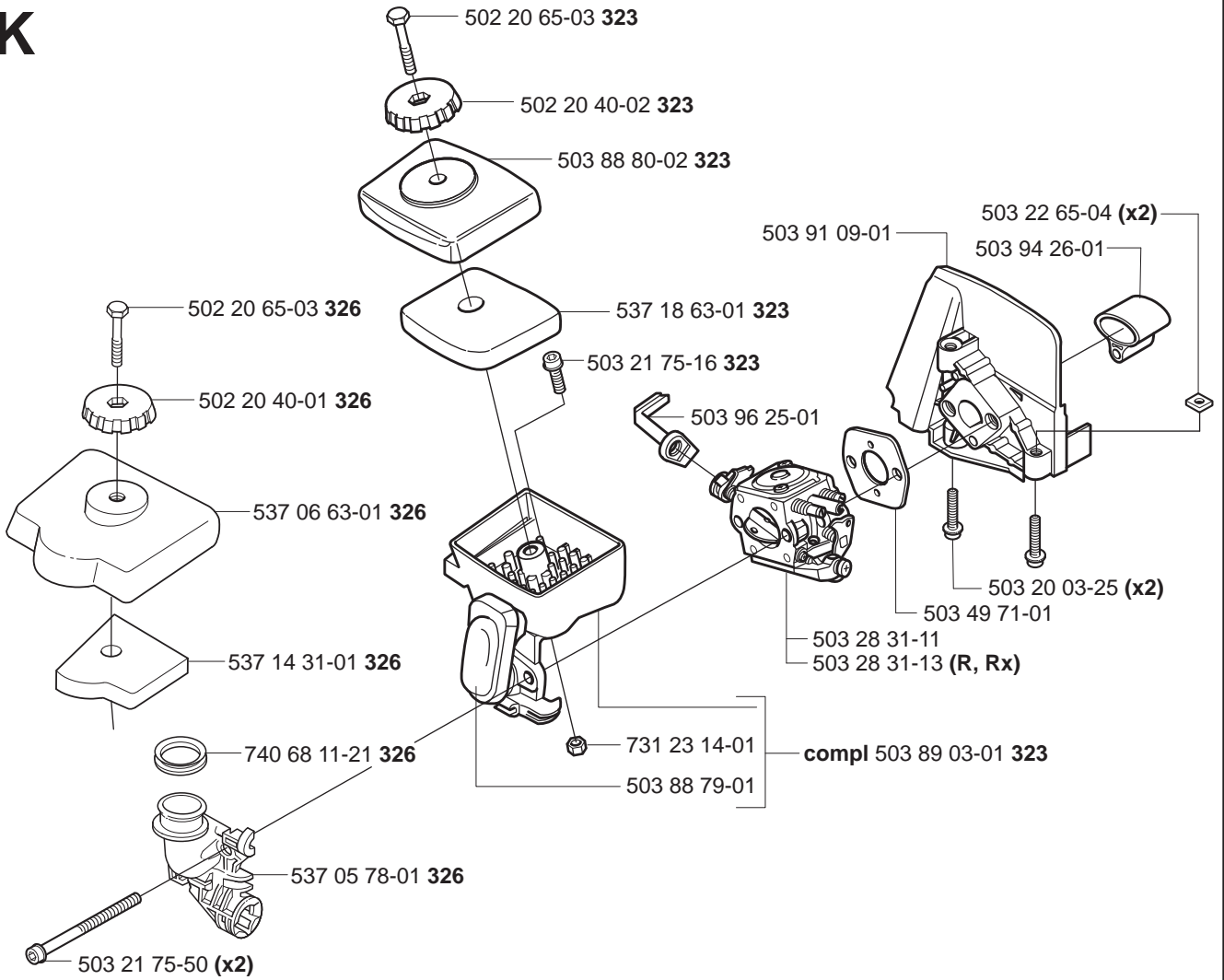
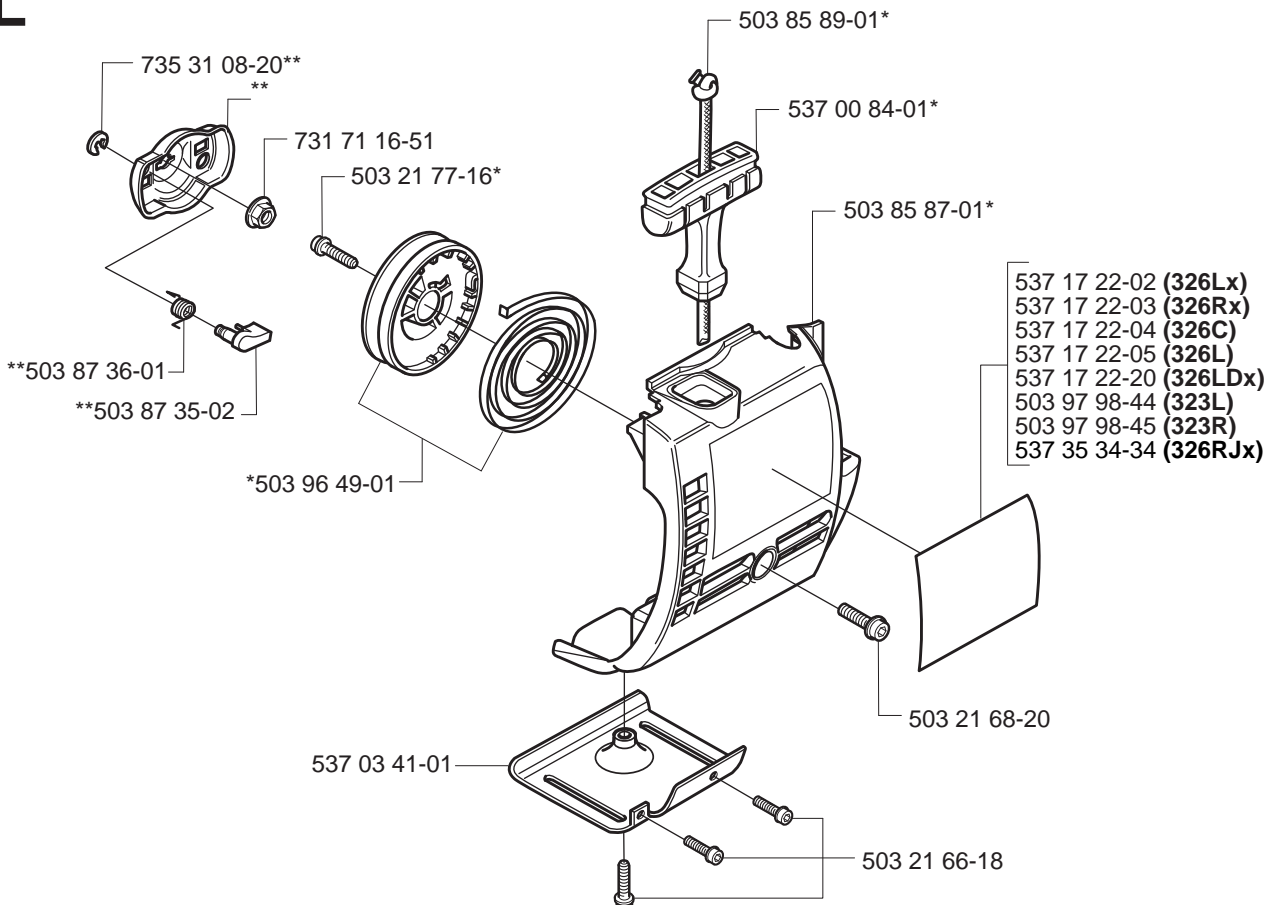


H 323L, R

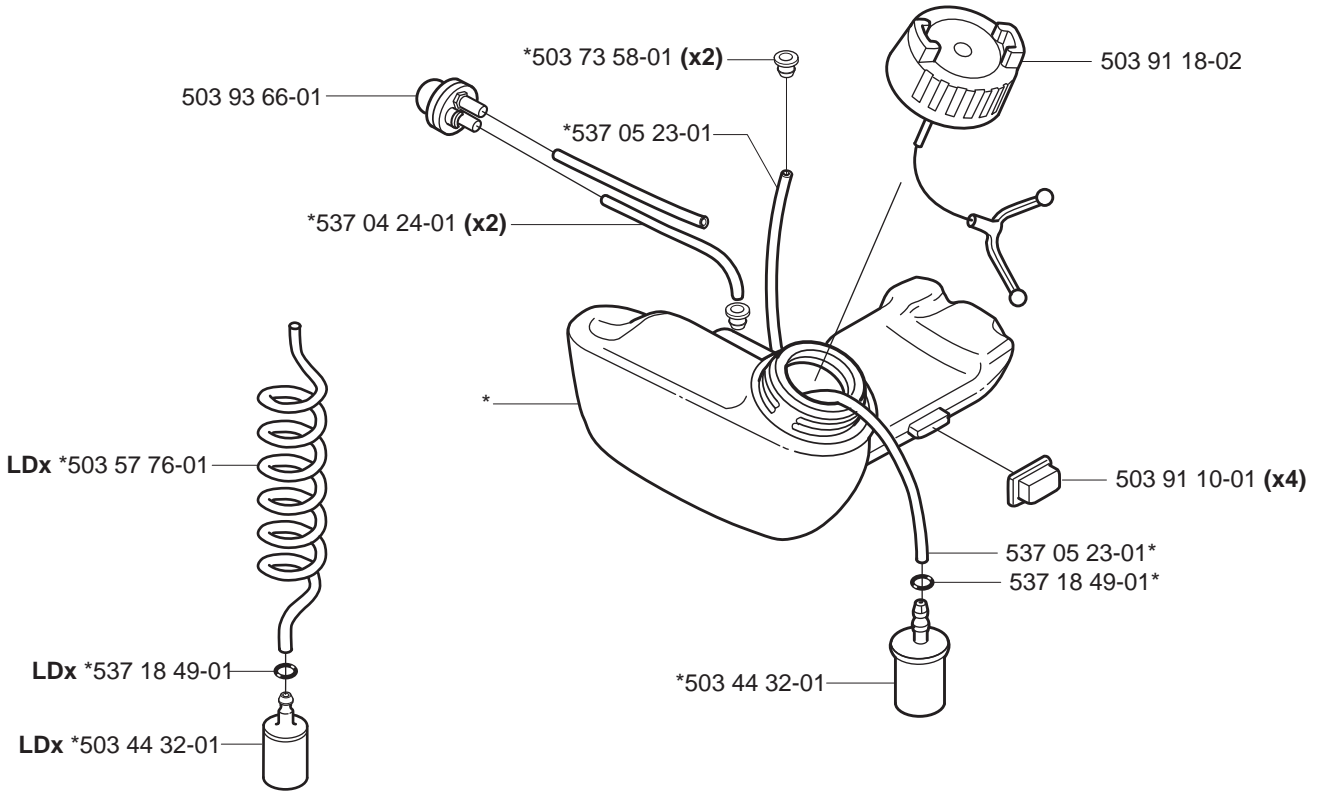


J 326C, L, Lx, LDx, RX, RJx



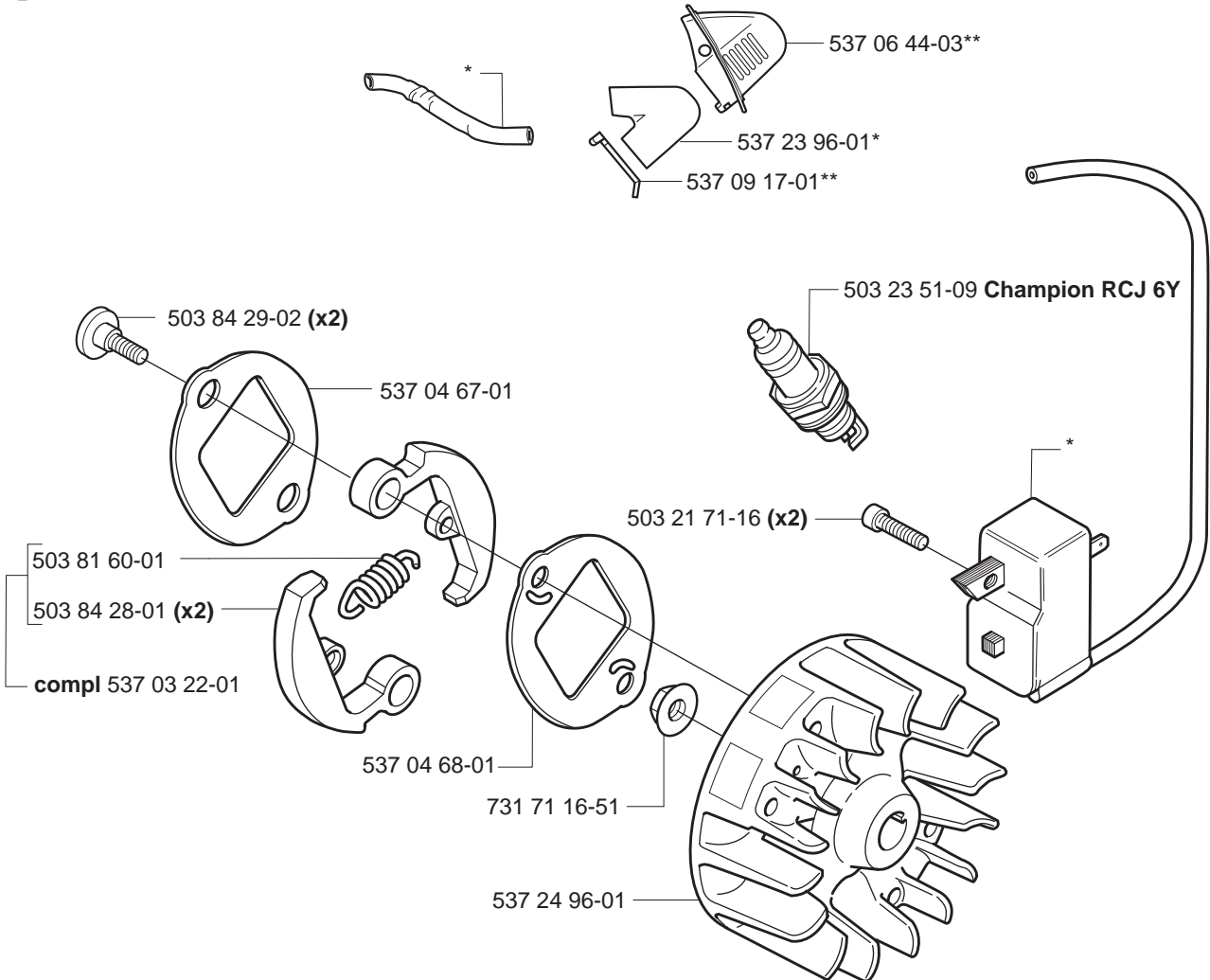
K**L******compl 503 87 33-02*****compl 503 85 28-01**

M *compl 537 06 86-01 C, L, Lx, R, RJx, Rx
 *compl 537 06 86-02 LDx



N *compl 537 04 23-01

**compl 537 06 33-02 (326)



P

*compl 537 08 51-01

326 **537 22 18-01

326 **compl 537 22 17-01 Cat.

326 **503 20 29-56 (x3)

537 01 41-01

** 326

*

323 ***compl 537 03 94-01 Cat.

323 ***503 20 29-50 (x3)

503 28 90-43 (x2)

503 20 07-35* (x4)

503 71 22-01

323 ***

737 44 08-00 (x2)

537 08 46-71*

323 ***503 87 17-01

Q

*compl 537 08 52-01

**compl 537 04 12-03

***compl 537 30 96-01

503 21 68-25*** (x2)

*537 06 69-01

503 21 68-20**

*537 08 85-01

537 07 36-01

537 06 68-01*

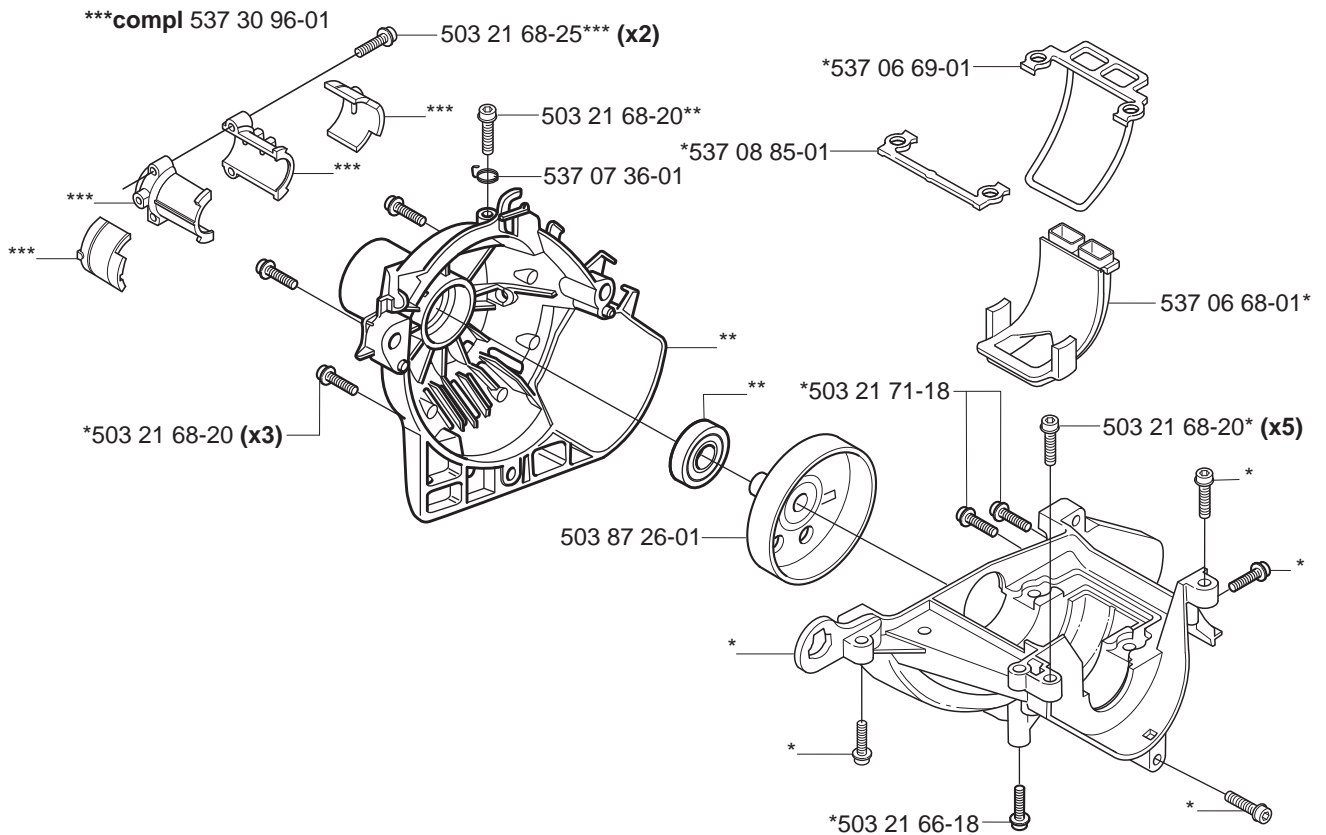
*503 21 68-20 (x3)

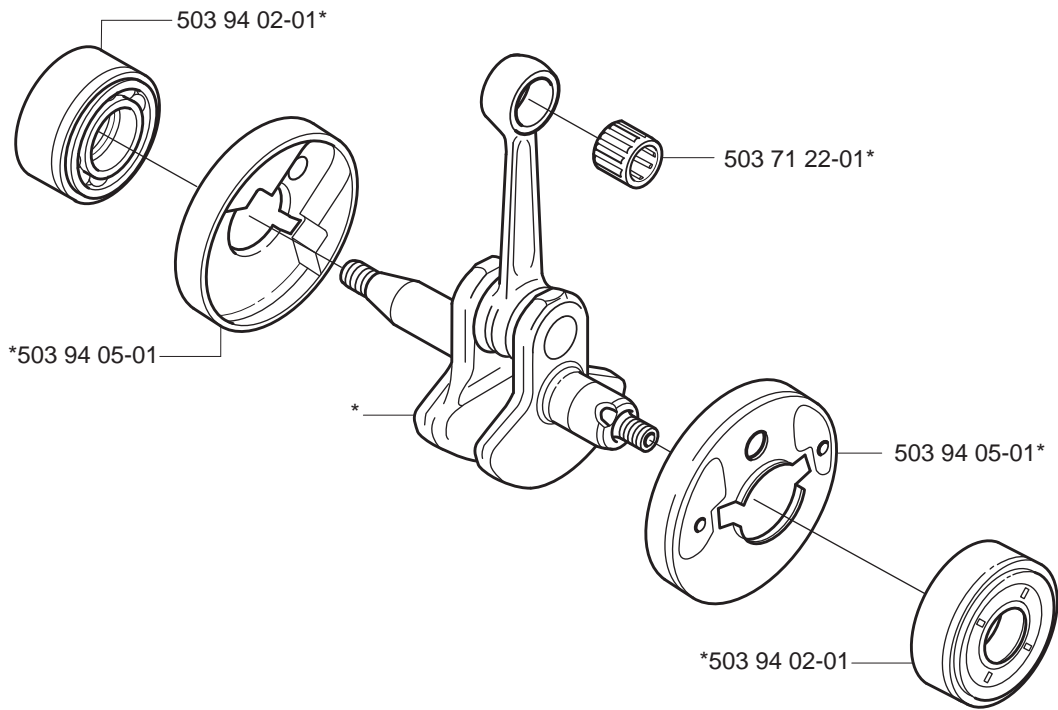
*503 21 71-18

503 21 68-20* (x5)

503 87 26-01

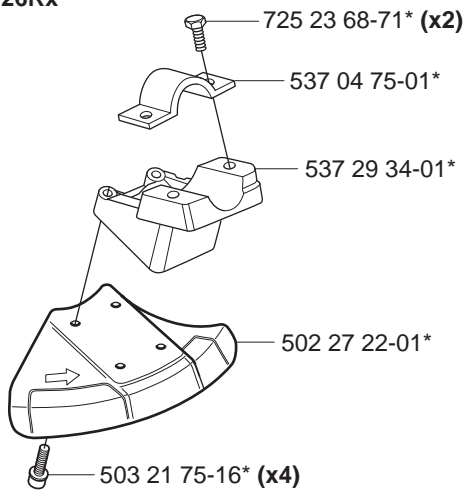
*503 21 66-18



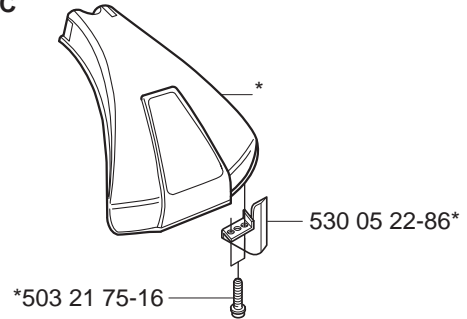
R***compl 503 85 24-74****S**

**Accessories
Zubehöre
Accessoires
Accesorios
Tillbehör**

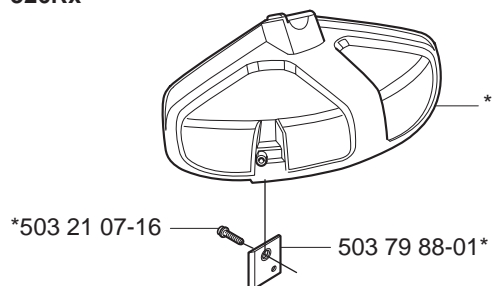
***compl 537 29 95-01
323R
326Rx**



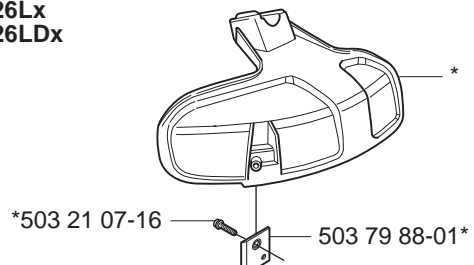
***compl 537 02 61-01
326C**



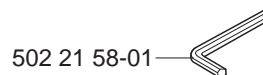
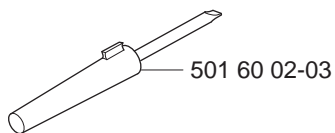
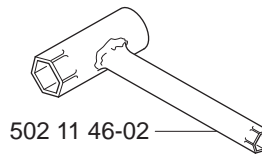
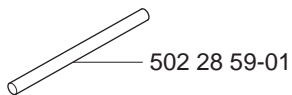
***compl 503 93 42-02
323R
326Rx**



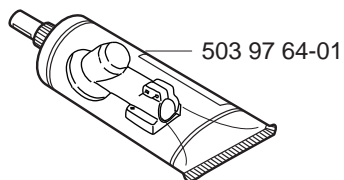
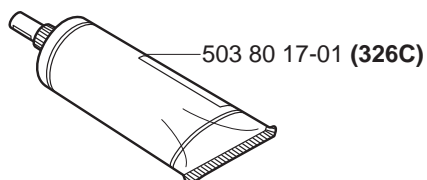
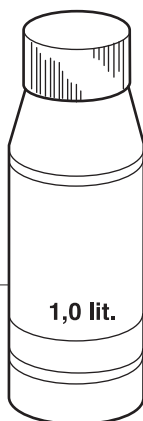
***compl 503 97 71-01
323L
326L
326Lx
326LDx**



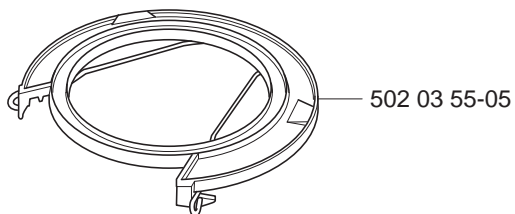
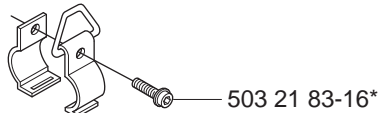
S Accessories
 Zubehöre
 Accessoires
 Acessorios
 Tillbehör



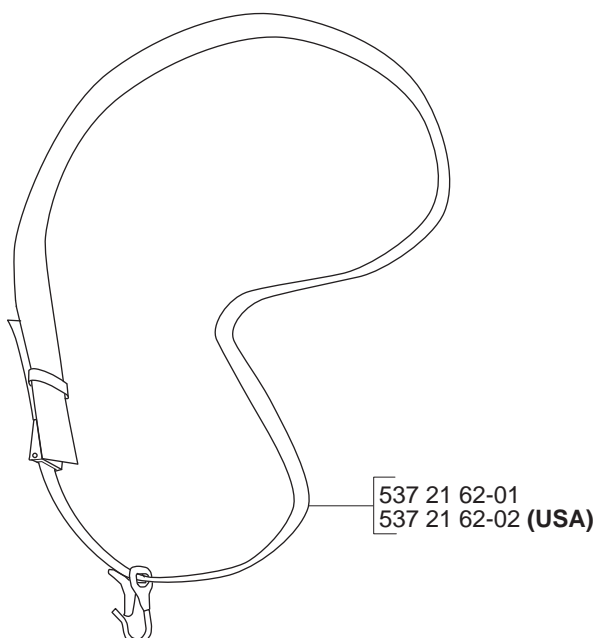
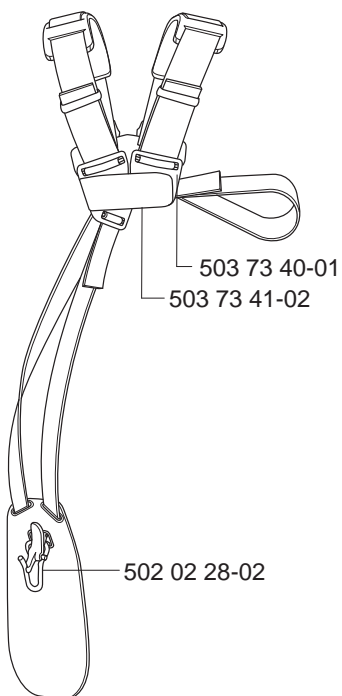
Olja Luftfilter
Oil Airfilter
Öl Luftfilter
Aceite Filtro Air
Huile Filtera aire



*compl 501 78 33-01



compl 537 21 63-01
 compl 537 21 63-02 (USA)

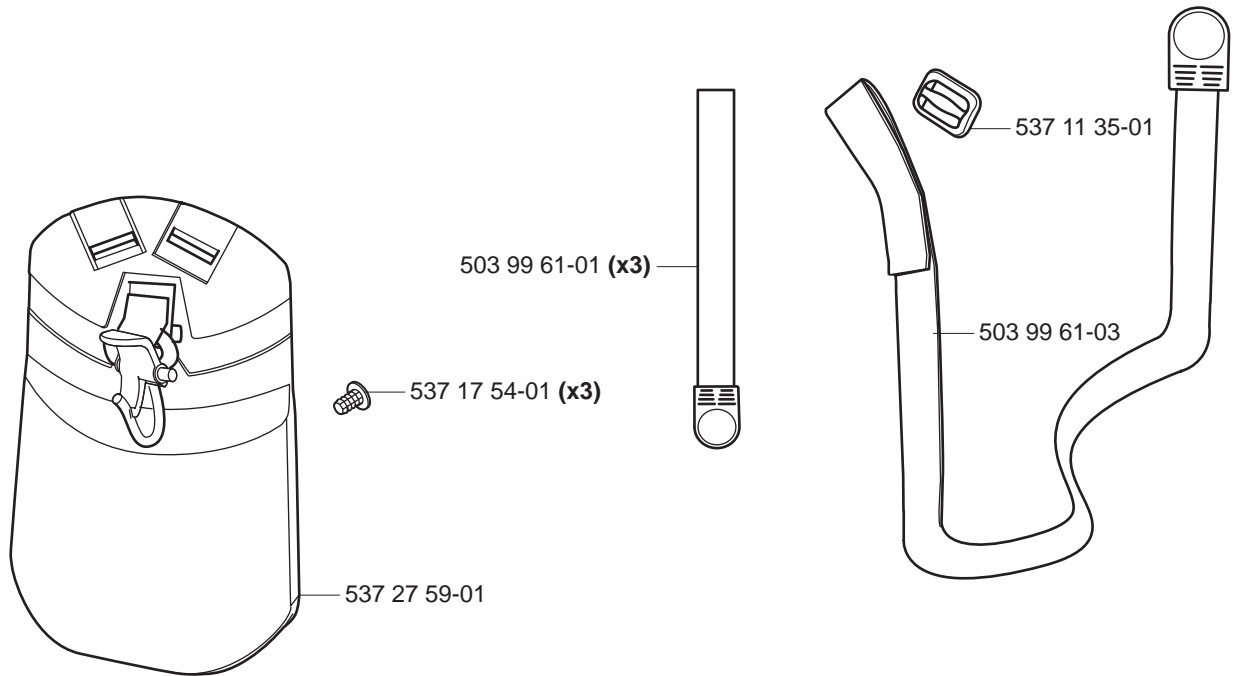
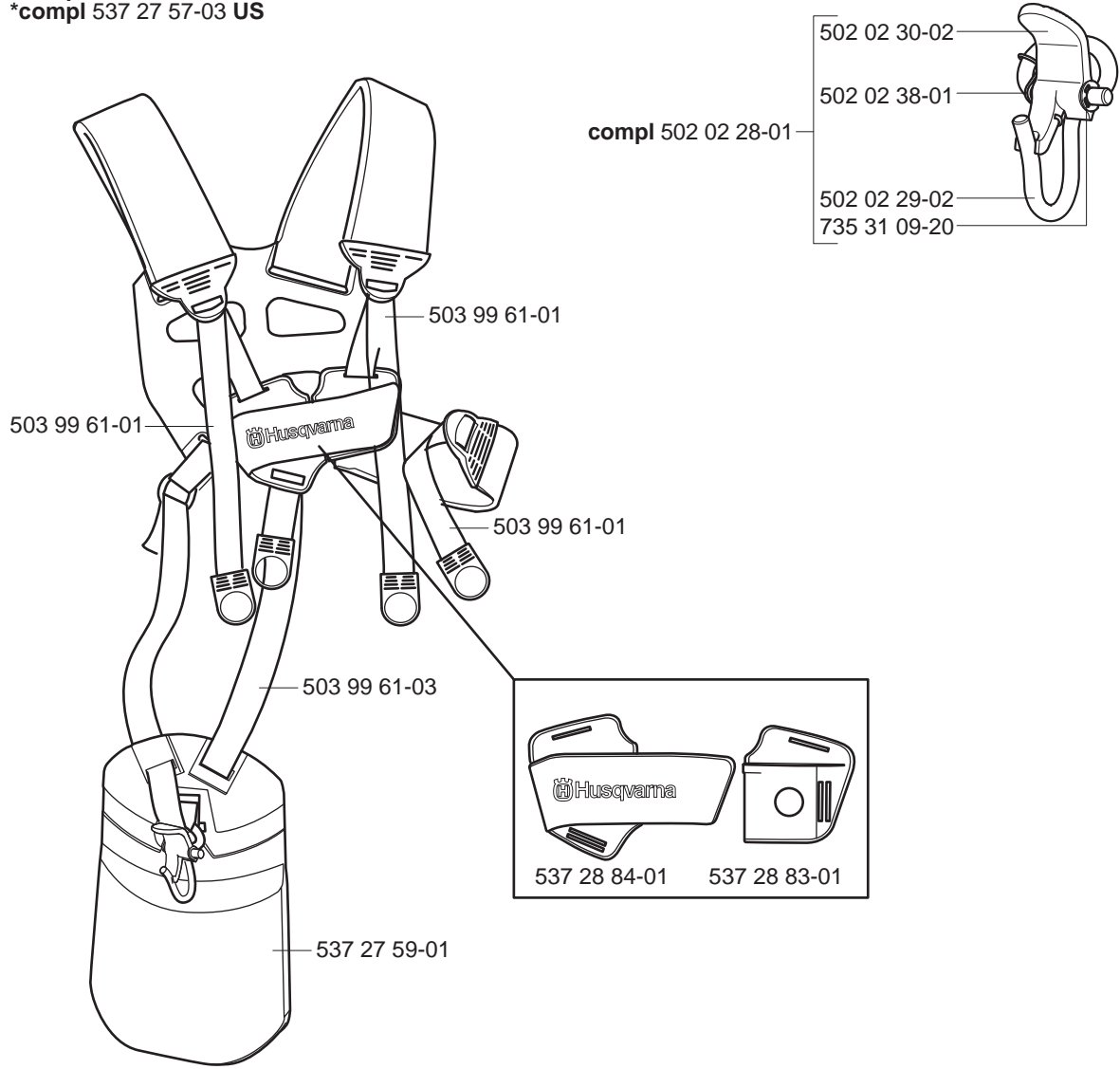


S

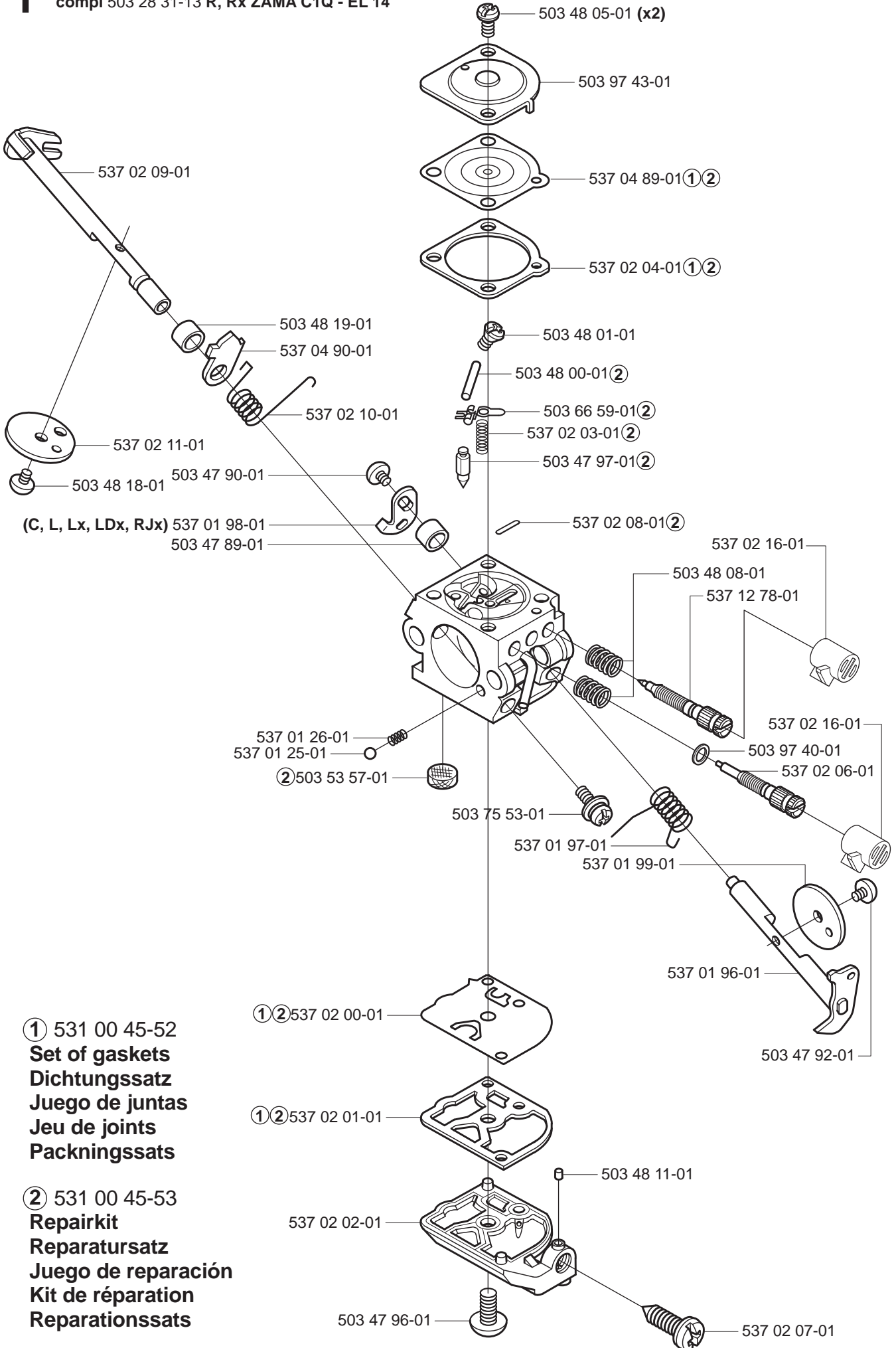
Duo Balance

*compl 537 27 57-01

*compl 537 27 57-03 US



T compl 503 28 31-11 C, L, Lx, LDx, RJx ZAMA C1Q - EL 12
 compl 503 28 31-13 R, Rx ZAMA C1Q - EL 14



① 531 00 45-52
Set of gaskets
Dichtungssatz
Juego de juntas
Jeu de joints
Packningssatz

② 531 00 45-53
Repairkit
Reparatursatz
Juego de reparación
Kit de réparation
Reparationsssatz